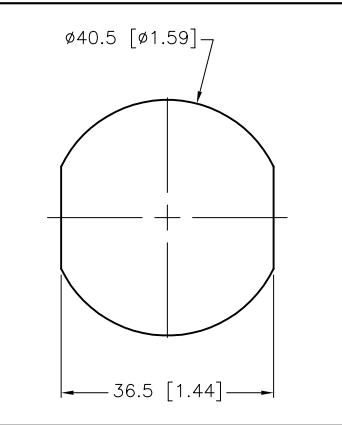
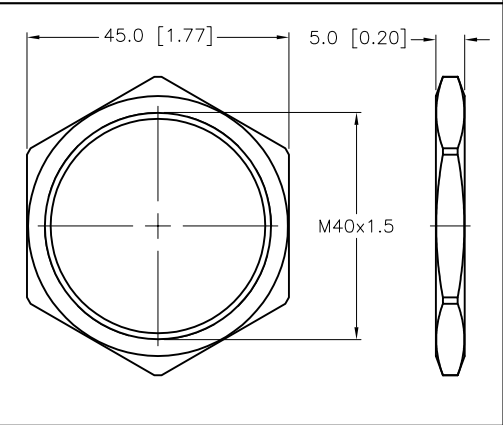
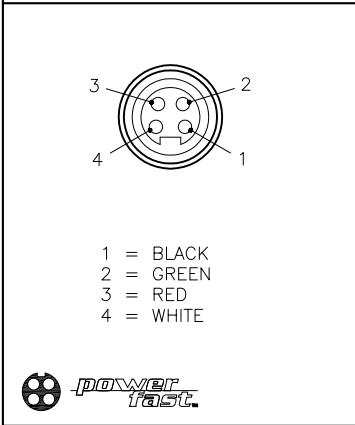


FEMALE END VIEW

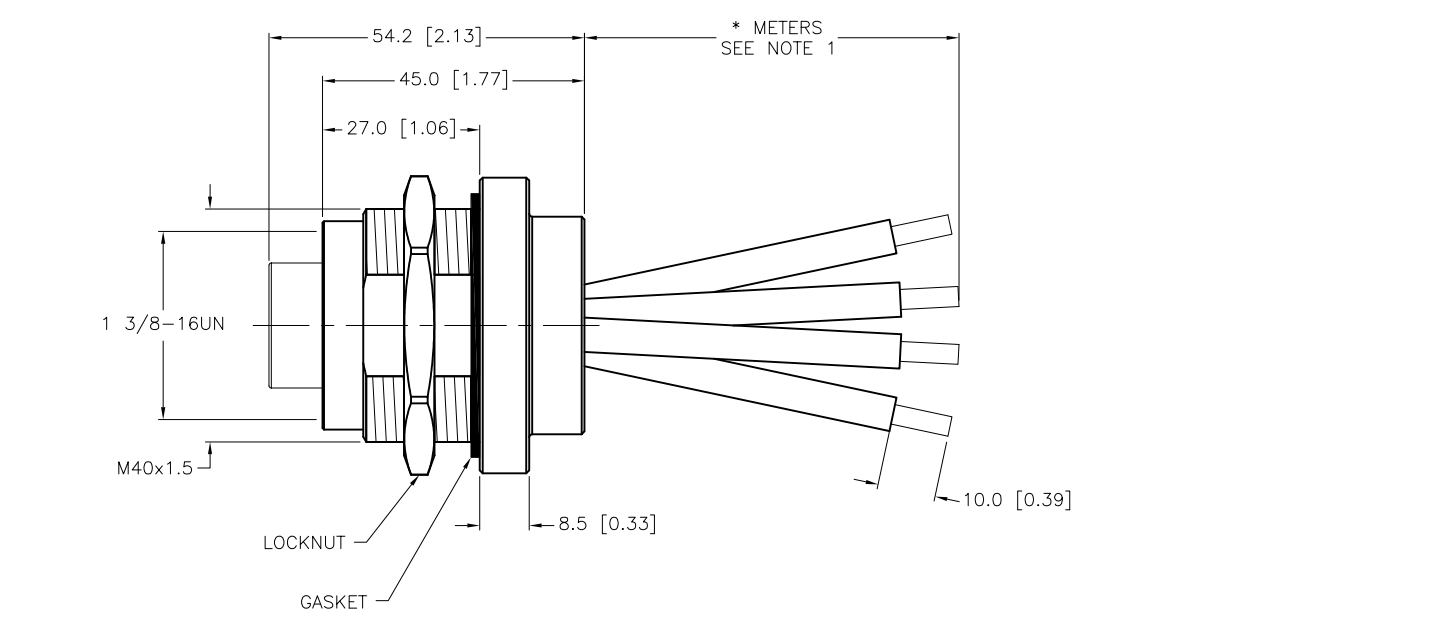
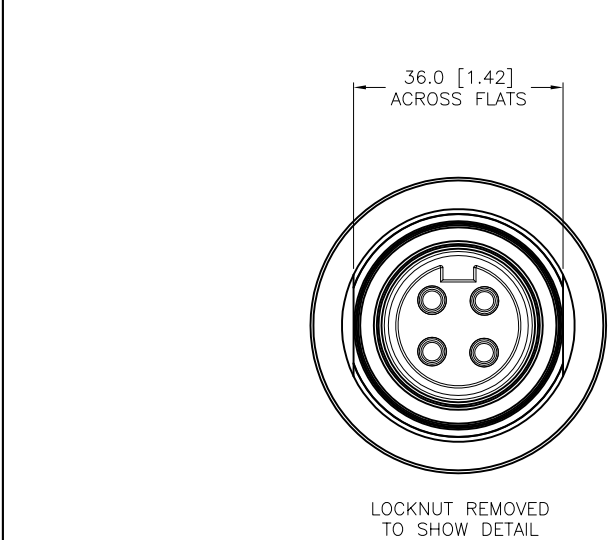
LOCKNUT DETAIL

PANEL CUTOUT

SPECIFICATIONS



|                                   |   |
|-----------------------------------|---|
| CONTACT CARRIER MATERIAL          | PVC   |
| CONTACT MATERIAL/PLATING          | BRASS or COPPER/GOLD                          |
| HOUSING, LOCKNUT MATERIAL/PLATING | BRASS/NICKEL                                  |
| GASKET MATERIAL                   | POLYETHYLENE                                  |
| RATED CURRENT [A]                 | 25 A  |
| RATED VOLTAGE [V]                 | 600 V   |
| CONDUCTOR INSULATION MATERIAL     | PVC   |
| NUMBERS OF CONDUCTORS [AWG]       | 4x10 AWG                                      |
| TEMPERATURE RATING                | -40°C to +105°C (-40°F to +221°F)             |
| PROTECTION CLASS                  | MEETS NEMA 1,3,4,6P AND IEC IP67, IP68, IP69K |
| MAXIMUM PANEL THICKNESS           | 6.0mm [.236]                                  |



**CAUTION:**  
RISK OF ELECTRICAL SHOCK  
DO NOT DISCONNECT UNDER LOAD

SOURCE DRAWING - FOR REFERENCE ONLY

| CABLE LENGTH | TOLERANCE*  |
|--------------|---|
| ALL LENGTHS  | + 4% (OR 50mm) OF LENGTH<br>- 0% (OR 0mm) OF LENGTH<br>WHICHEVER IS GREATER |
| STRIP LENGTH | TOLERANCE*  |
| 0-7mm        | ±0.5mm  |
| 8-29mm       | ±1.0mm  |
| 30-49mm      | ±2.0mm  |
| 50-69mm      | ±3.0mm  |
| 70-100mm     | ±4.0mm  |
| OVER 100mm   | ±5.0mm  |

\* UNLESS OTHERWISE SPECIFIED

NOTES:  
1. "\*" INDICATES LEAD LENGTH IN METERS. CONTACT TURCK TO ORDER SPECIFIC LENGTHS.

|                   |   |  |     |  |                            |
|-------------------|---|--|-----|--|----------------------------|
| RELATED DOCUMENTS | 3RD ANGLE PROJECTION  | THIS DRAWING IS CONFIDENTIAL AND THE PROPERTY OF TURCK INC. USE OF THIS DOCUMENT WITHOUT WRITTEN PERMISSION IS PROHIBITED. |     | <b>TURCK INC</b><br>High Technology Sensors and Automation Controls<br>3000 CAMPUS DRIVE<br>MINNEAPOLIS, MN 55441<br>1-800-544-7769<br>(763) 553-7300<br>(763) 553-0708 fax<br>turck.com |                            |
| 1.                |   | DRFT   | RDS | DATE 03/06/12  | DESCRIPTION<br>GKDFP 40-*M |
| 2.                |   | APVD   |     | SCALE 1=1.3  |                            |
| 3.                | ALL DIMENSIONS DISPLAYED ON THIS DRAWING ARE FOR REFERENCE ONLY | UNIT OF MEASUREMENT<br><b>MILLIMETER [ INCH ]</b>  |     |  | IDENTIFICATION NO.         |
| 4.                |   | CONTACT TURCK FOR MORE INFORMATION   |     |  |                            |
| MATERIAL          | SEE SPECIFICATIONS  | DO NOT SCALE THIS DRAWING  |     |  | REV<br>A                   |
| FINISH            | SEE SPECIFICATIONS  | FILE: 777028737  |     |  | SHEET 1 OF 1               |

|     |                 |     |          |         |
|-----|-----------------|-----|----------|---------|
| A   | DRAWING RELEASE | RDS | 08/13/12 |         |
| REV | DESCRIPTION     | BY  | DATE     | ECO NO. |